

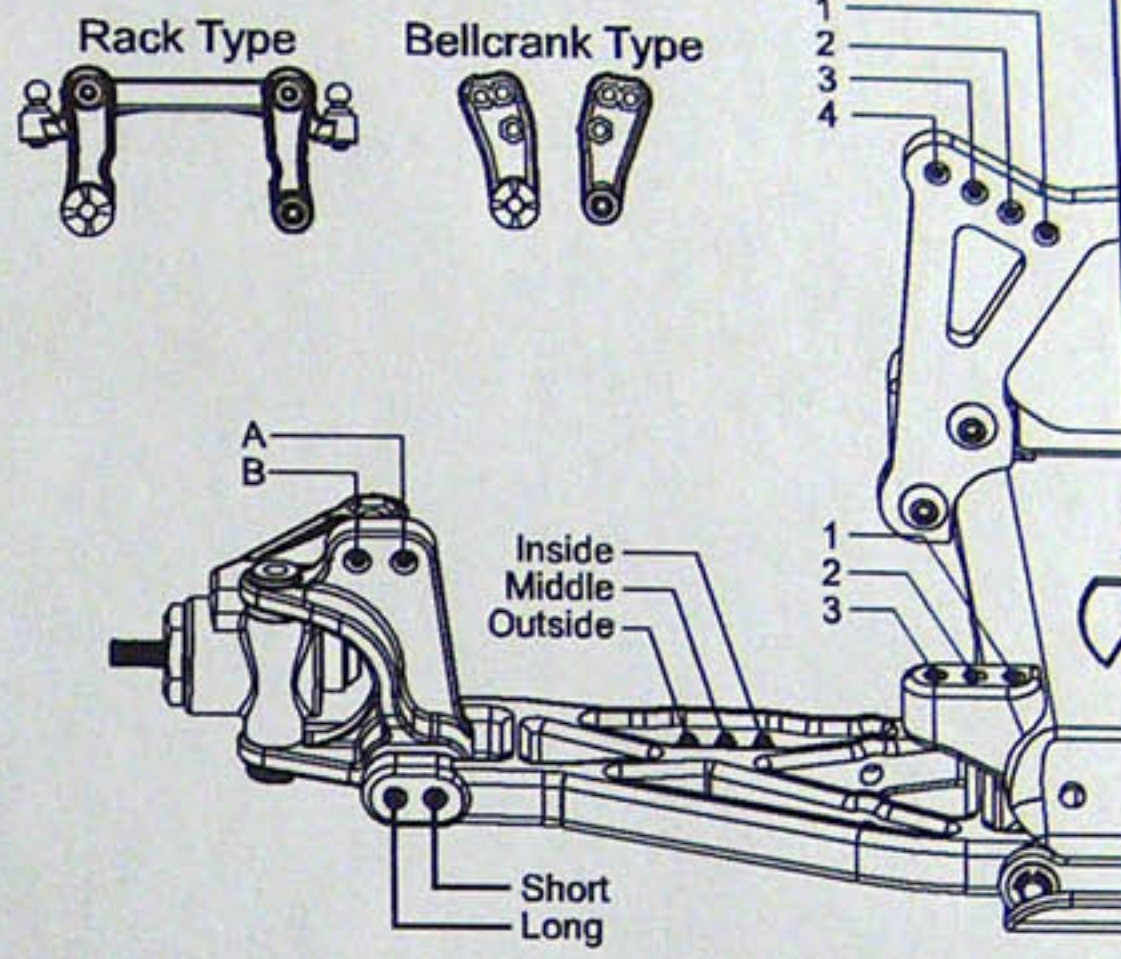
TEAM LOSI SETUP SHEET XXX CR

Name: GuiGui French RAM
 City: DHUISON State: France
 Track Indoor Tight Smooth Hard Packed Blue Groove Wet Low Bite High Bite
 Conditions Outdoor Open Rough Loose/Loamy Dry Dusty Med Bite Other _____

Date: 1 et 2 Septembre Event: Coupe de France
 Track: _____

Front Suspension

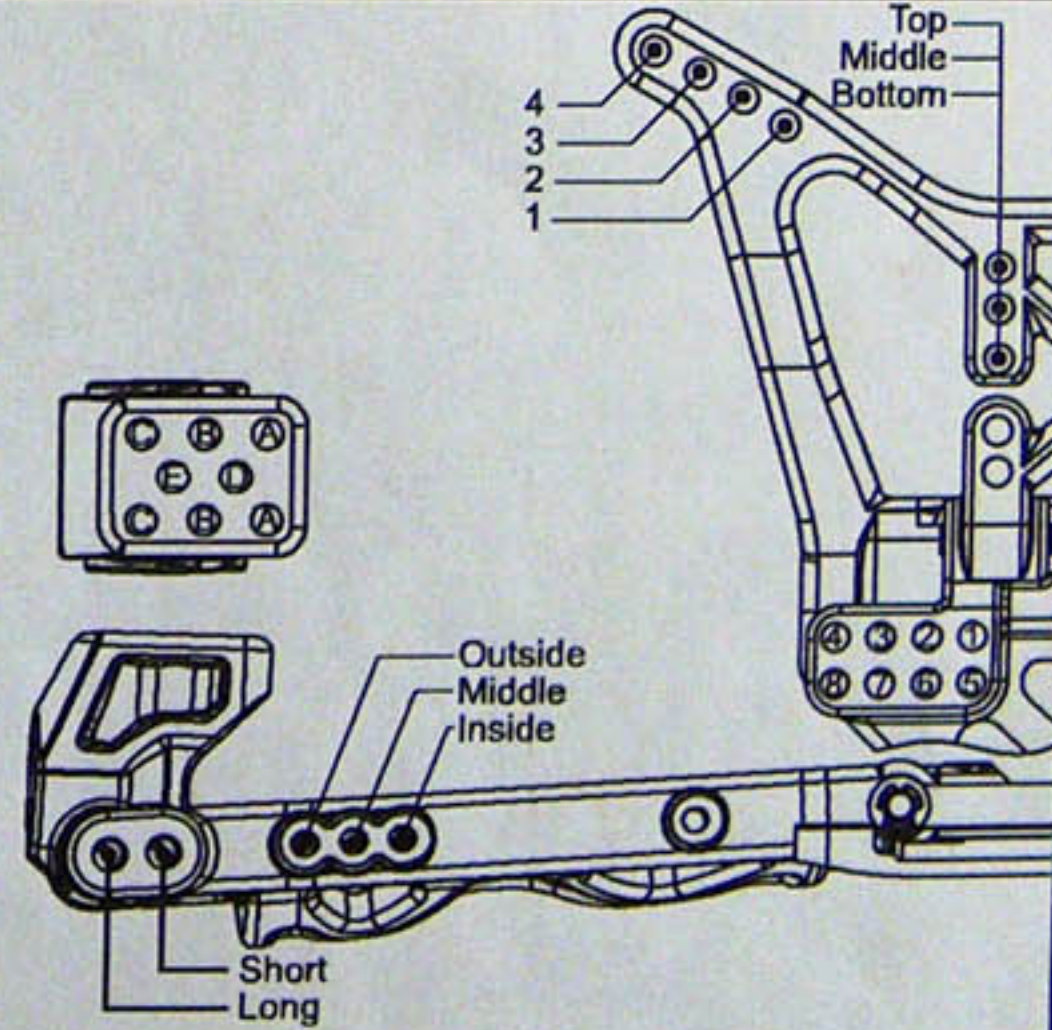
Toe: 0°
 Ride Height: 24 mm
 Camber: -1°
 Caster: 30
 Sway Bar: No
 Oil: 97, 5 WT
 Piston: # 56
 Spring: Orange
 Limiters: None
 Spindle Height: Bottom
 Axle Spacer: Narrow
 Steering Type: Rack
 Bump Steer: None
 Camber Link: 3-B Rondelles Stock
 Shock Location: 3-Middle
 VLA: Short
 Front Wing: Yes



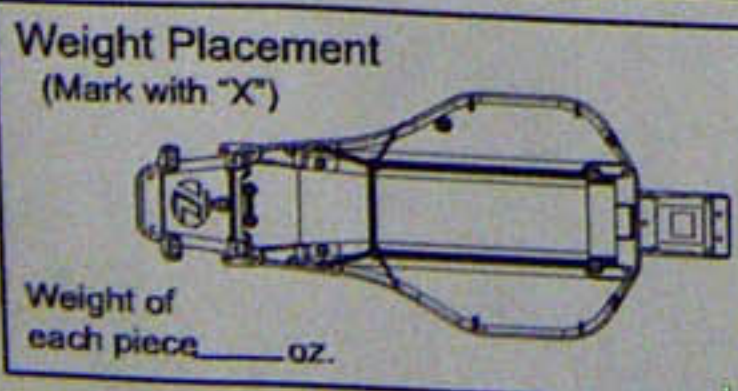
Notes: _____

Rear Suspension

Toe: 3° Pivot
 Pivot Support: 2°
 Ride Height: 24 mm
 Camber: -1°
 Rear Hub Spacing: Center
 Drive Shafts/Outdrives: _____
 Sway Bar: None
 Oil: 32, 5
 Piston: # 56
 Spring: Yellow
 Limiters: .170
 Camber Link: 3-B Rondelle Stock
 Shock Location: 2-inside
 VLA: Short
 Wing Position/Mount: Standard
 Body & Wing Type: XXX CR
 Battery Position: Afront



Notes: _____



Tires: Type Compound Insert Additive Motor: 12x3
 Front: X-Tra Wide Red Stock _____ Spur: 78
 Rear: Big Shot Red Firm _____ Pinon: 91
 Notes: _____
