



Setup Sheet
 Driver: Julien Formentin
 Date: 01-02/09/07

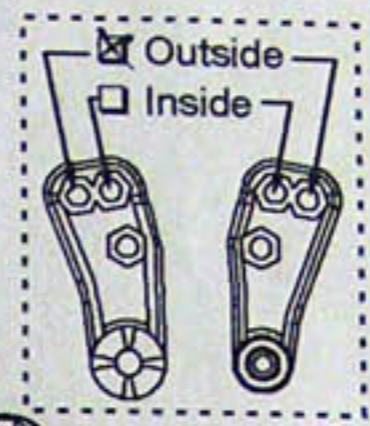
Track: DHUZZON
 Indoor Smooth Slippery
 Outdoor Rough High-Bite
 Tight / Open Blue-Groove

FRONT SUSPENSION (Circle or Check the Appropriate Settings)

In Out _____
 Ride Height Triangles (1 au 80)
 Camber - + _____
 Caster Stock Other _____
 Sway Bar No Yes size: _____

of washers under steering/tie-rod ball studs
 Spindle ball stud: _____
 Bellcrank ball stud: _____

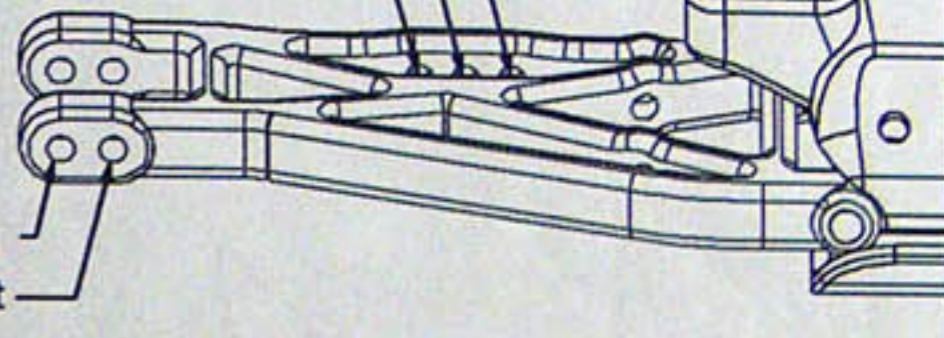
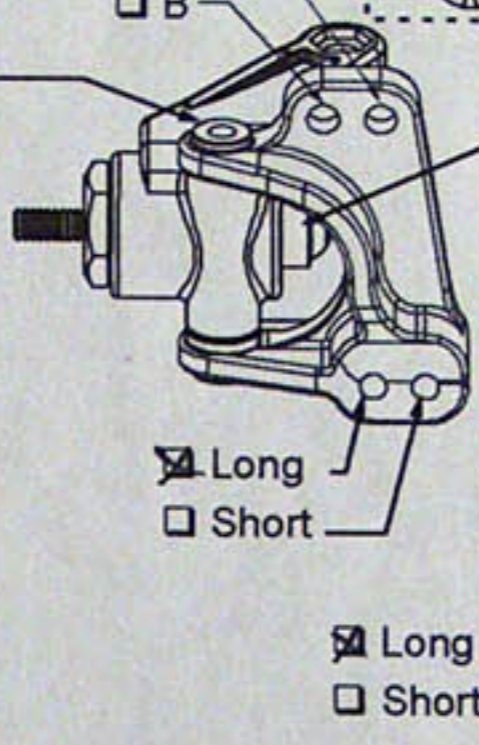
Spindle Location
 Top
 Middle
 Bottom



of washers under ball stud
 1
 2
 3

Axle Spacer
 Narrow - inside
 Wide - outside

Inside
 Middle
 Outside



Front Shocks
 Oil: 25 Asso
 Piston: rose Standard / Drilled
 Spring: Silver Internal: Yes / No
 Limiters: Inside- _____ Outside- _____

REAR SUSPENSION

Inside _____
 Outside _____

Body: LOSI XXX Bk2
 Wing: I Concept Wide
 Front Wing: Yes / No

Wing Position Forward Back
 Wing Mount Top Bottom

Pivot Support No Shim Shim Under Front - # of shims: _____

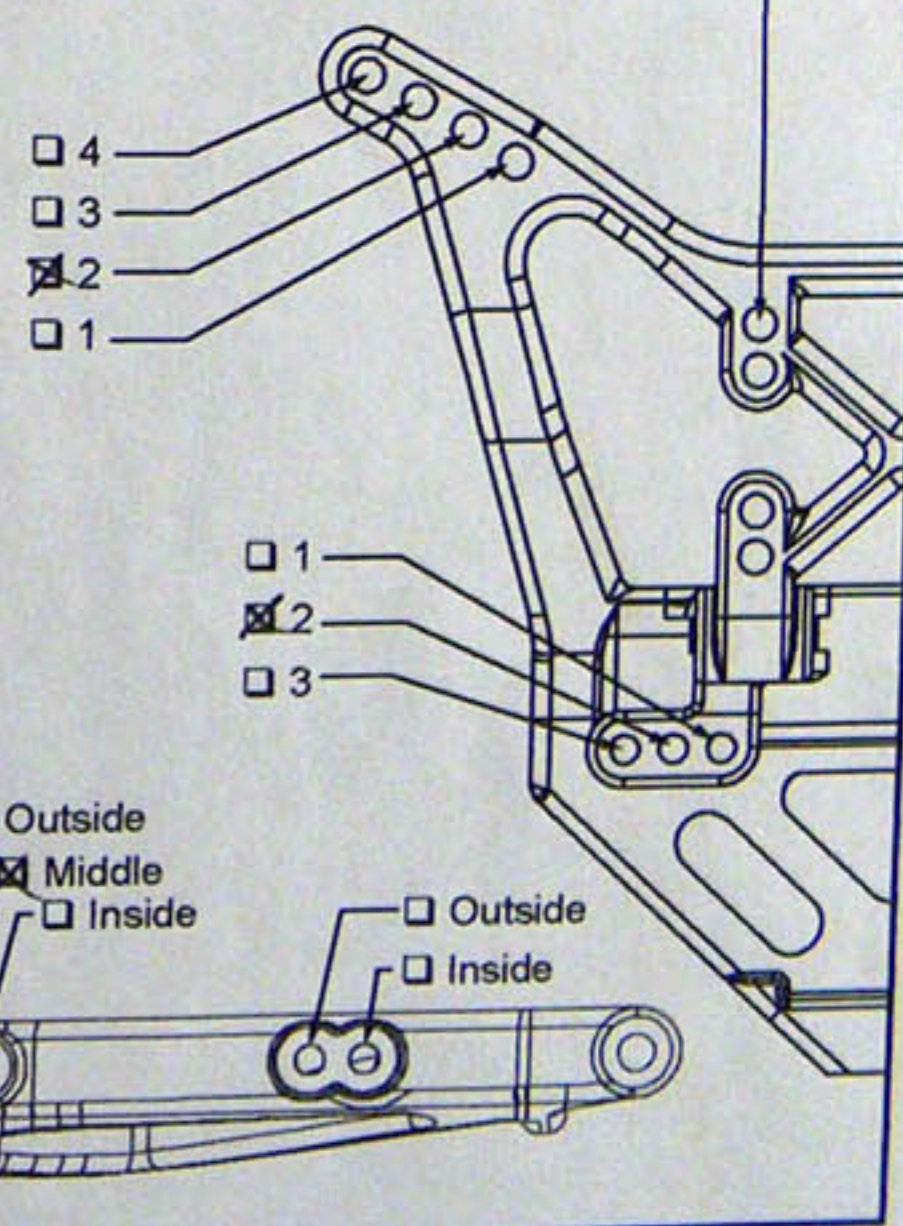
Ride Height Cardans (1 au 80)

Camber - + 2

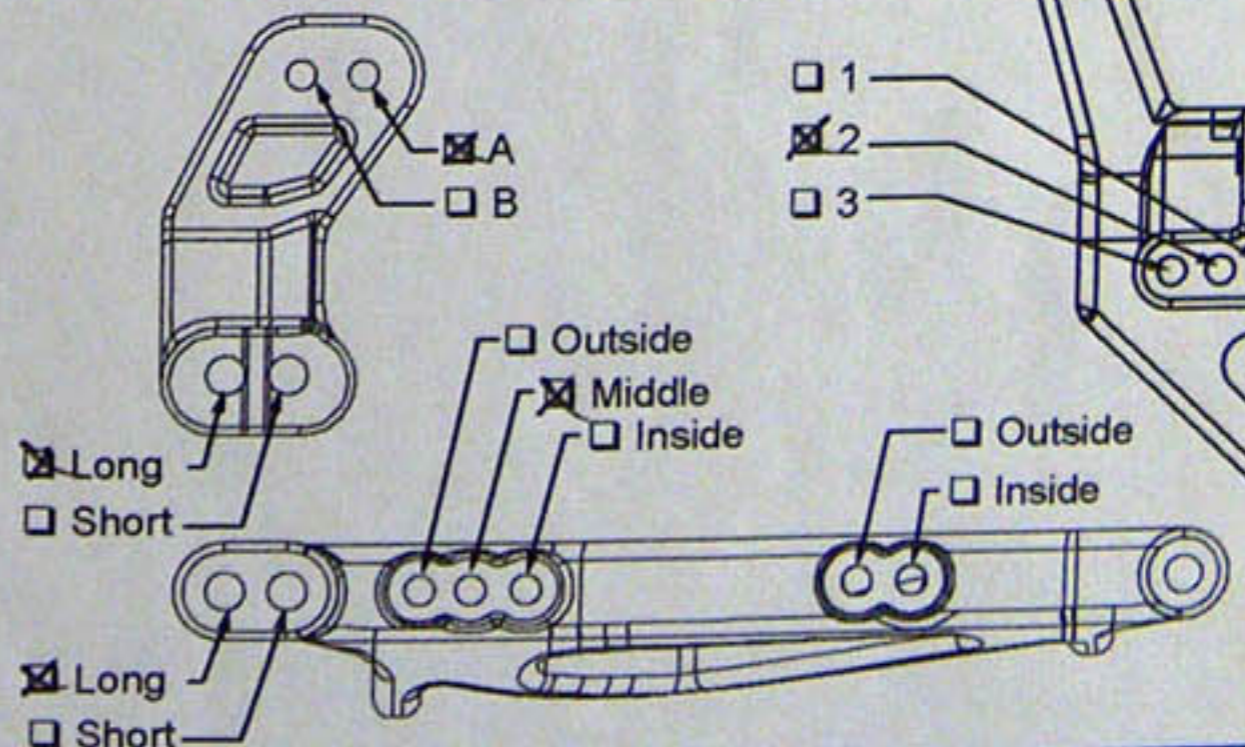
Drive Shafts Dogbones Aluminum
 CVDs Steel

Rear Hub Spacing Forward Center Rear

Sway Bar No Yes size: _____



Rear Shocks
 Oil: 25 Asso
 Piston: rose Standard / Drilled
 Spring: rose Internal: Yes / No
 Limiters: Inside- _____ Outside- _____



Tires

Front: Lignés LOSI Compound Silver Foam Std
 Rear: Big Shot Compound red Foam Std

Motor: PEAK Trx2 Pinion/Spur: 24/78
 Battery Position: Avant

Weather Conditions/Notes: _____

